

Index

TITAN Storage Assembly manual	2
Oceanus Module	3
Drawers for Hyperion Themis and Theah	4
Hyperion 36mm.....	5
Hyperion 26mm.....	6
Themis	7
Theah D2	8
Theah D3	8
Chronos	10

TITAN Storage Assembly manual

You will Need:



The Titan Modules are composed by many carefully packaged pre cut parts.

Use PVA glue on all wood to wood contact surfaces.

Some parts do not require Glue and can be interchanged if needed.

Warning: The wood can warp in transit and dimentions, you should let it rest indoor about 24h before assembly.

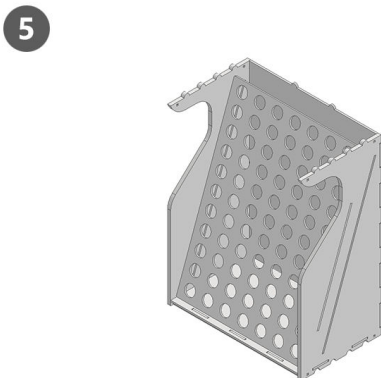
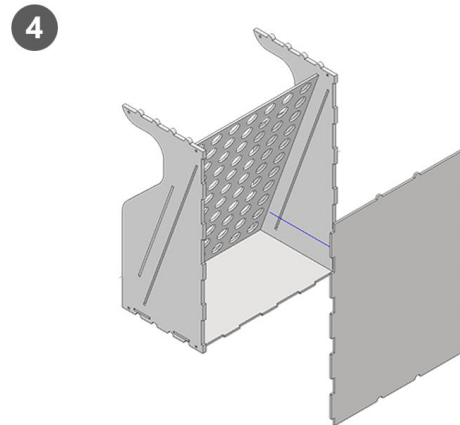
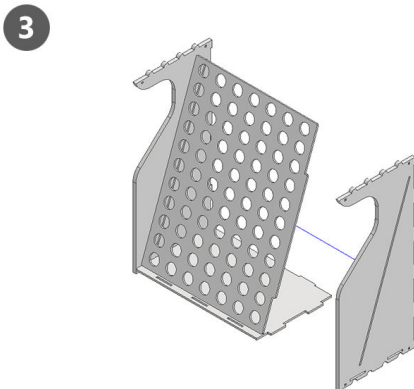
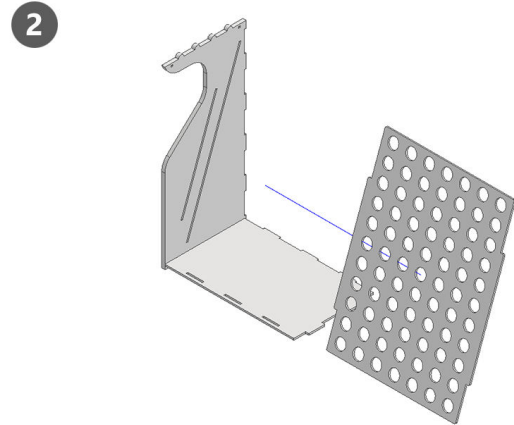
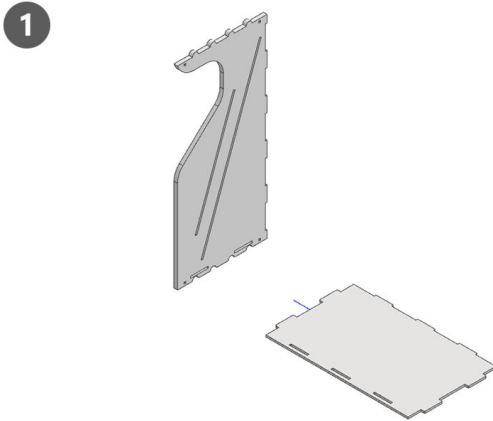
To ensure that all parts fit every assembly step should be assembled without glue, sometimes to ensure a perfect fit some tabs or corners might need to be filled.

After checking that all parts fit together perfectly it can be assembled permanently with glue.

Parts may change a little as product is allways being upgraded, any doubts contact us.

Oceanus Module

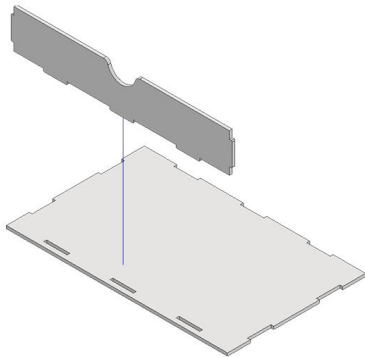
Please note the order of the assembly and the orientation of the parts, in doubt please contact us at www.bluesharkstudio.com



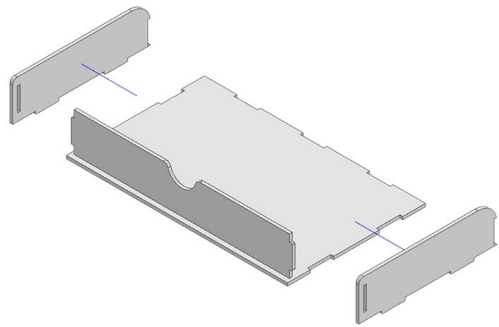
Note: On step 3 it is better to start aligning and inserting from the lower area/parts and one by one insert the next part from bottom to top of the piece, I usually use a small rubber mallet and tap to help it fit.

Drawers for Hyperion Themis and Theah

1

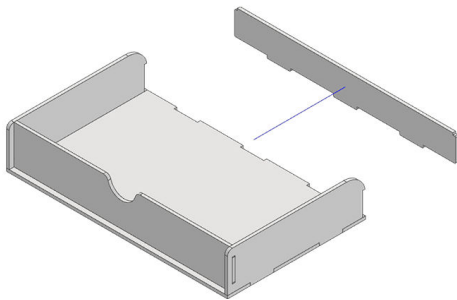


2

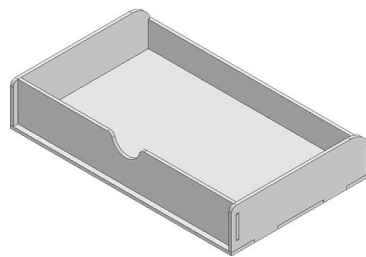


Note: Do not use Glue on the Acrylic parts, only wooden

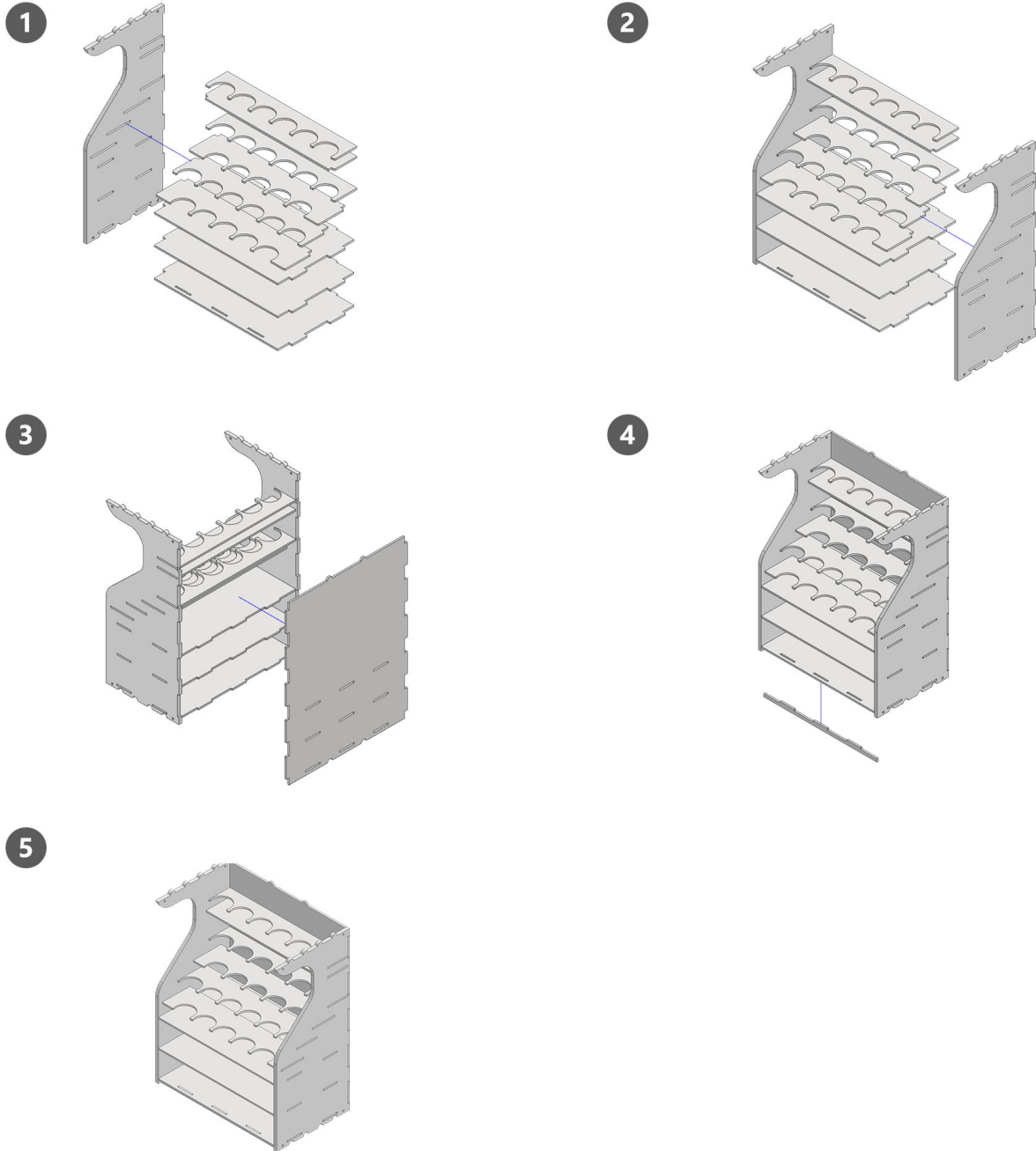
3



4

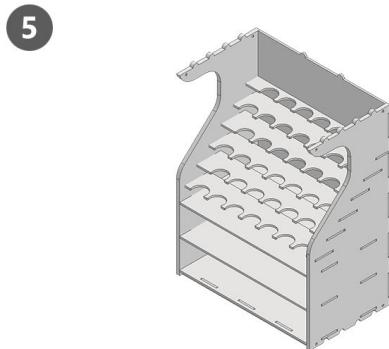
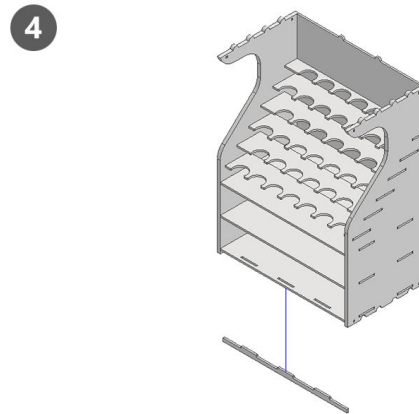
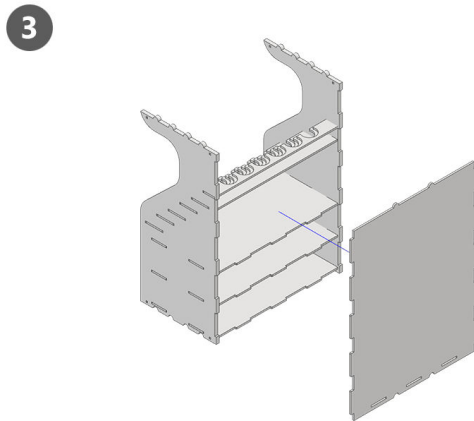
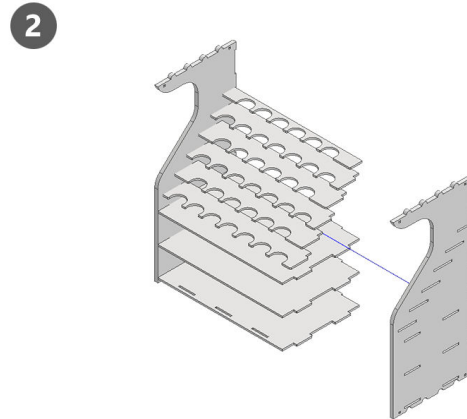
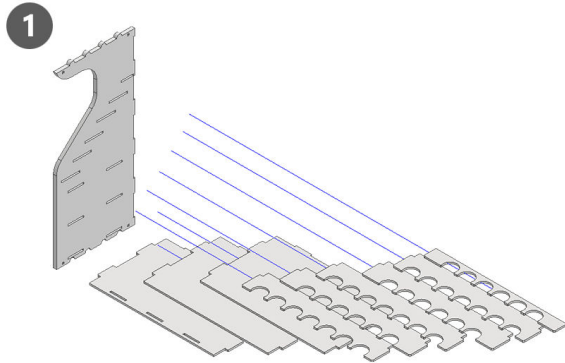


Hyperion 36mm



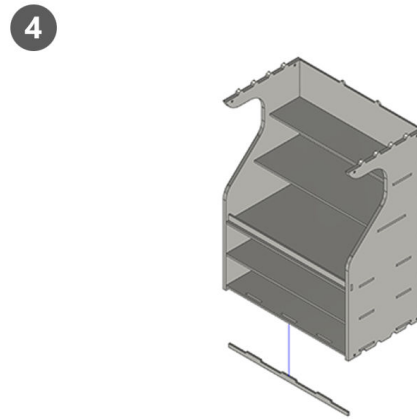
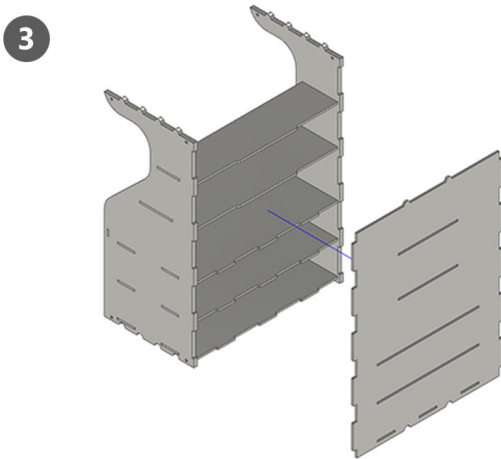
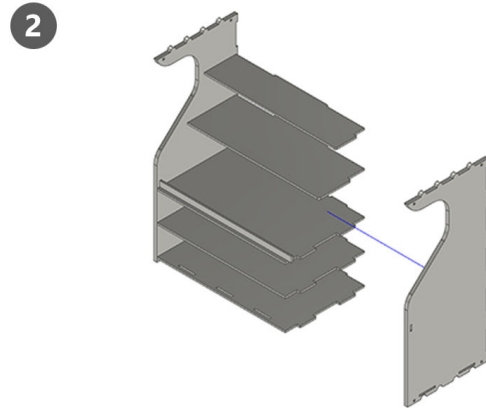
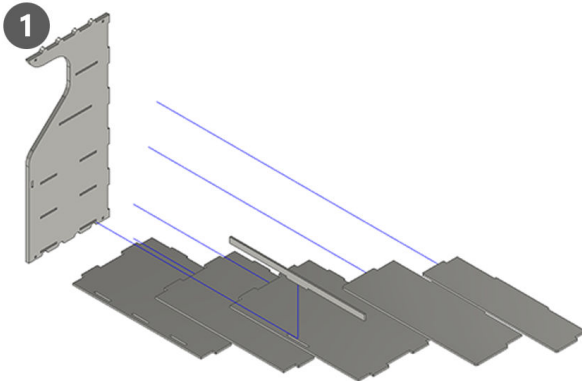
Note: On step it is better to start aligning and inserting from the lower area/parts and one by one insert the next part from bottom to top of the piece, I usually use a small rubber mallet and tap to help it fit.

Hyperion 26mm



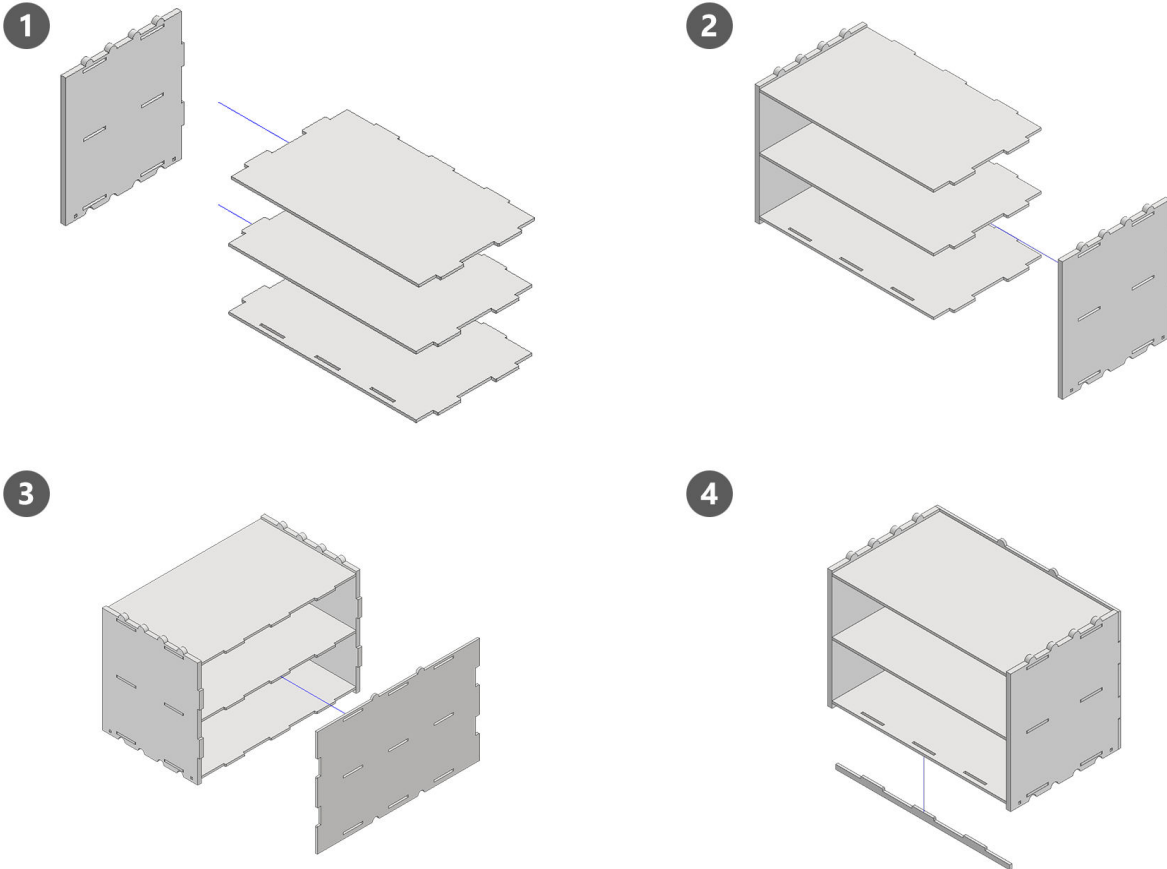
Note: On step it is better to start aligning and inserting from the lower area/parts and one by one insert the next part from bottom to top of the piece, I usually use a small rubber mallet and tap to help it fit.

Themis



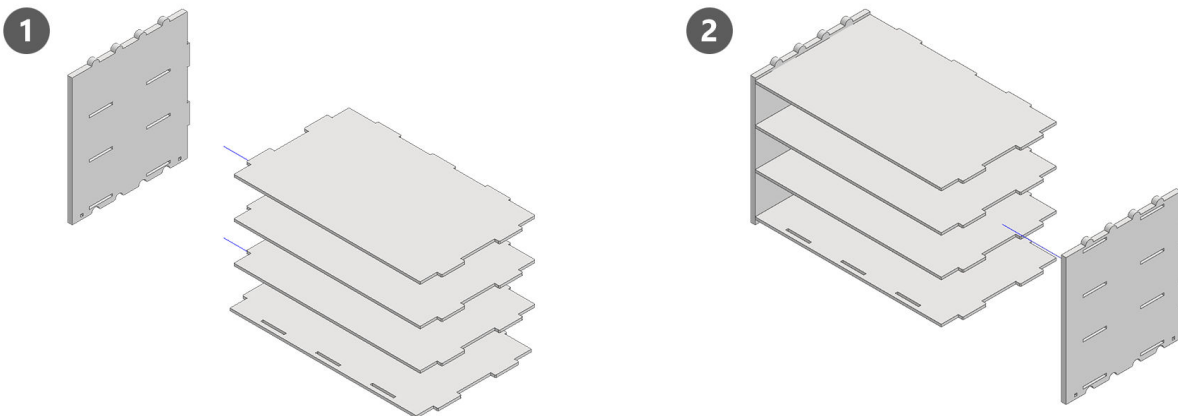
Note: On step it is better to start aligning and inserting from the lower area/parts and one by one insert the next part from bottom to top of the piece, I usually use a small rubber mallet and tap to help it fit.

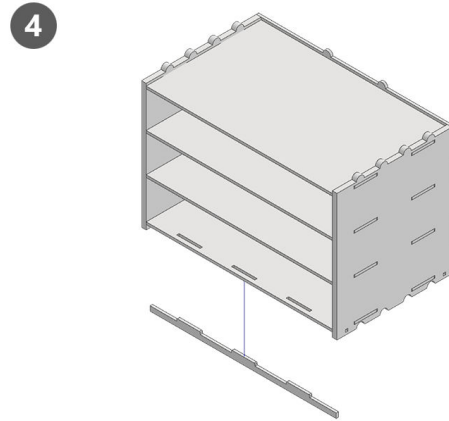
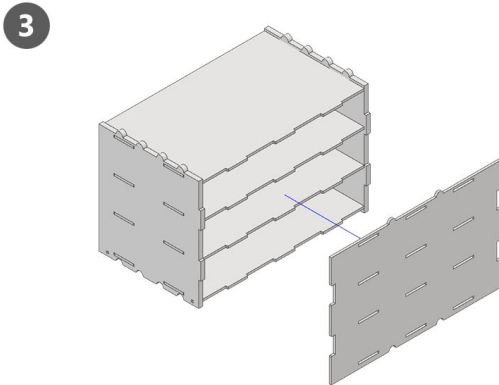
Theah D2



Note: On step it is better to start aligning and inserting from the lower area/parts and one by one insert the next part from bottom to top of the piece, I usually use a small rubber mallet and tap to help it fit.

Theah D3

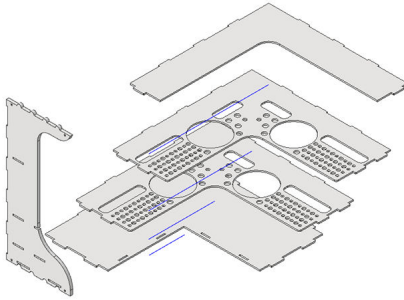




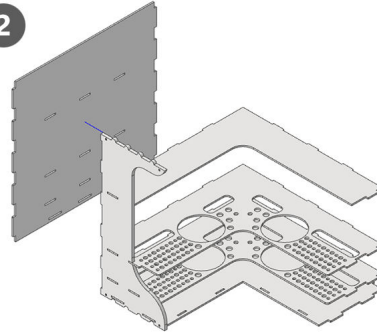
Note: On step it is better to start aligning and inserting from the lower area/parts and one by one insert the next part from bottom to top of the piece, I usually use a small rubber mallet and tap to help it fit.

Chronos

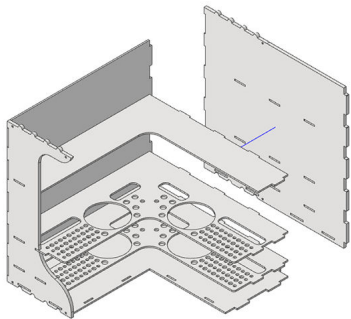
1



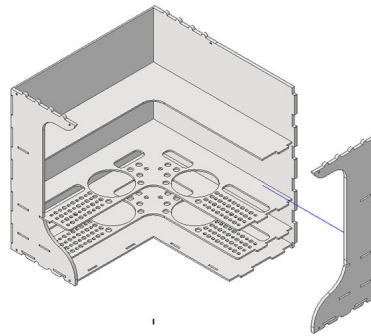
2



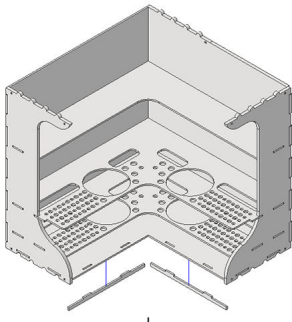
3



4



5



6

